

State-of-the-art technology in a modern design

This convenient LCD display has an extremely compact construction. All important information will be displayed by three 16-character lines. The backlighting can be controlled to maximise contrast.



DIS5 Display

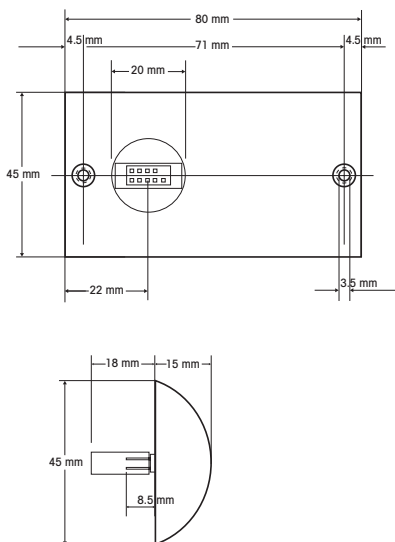
Its main application is in the vending sector as an option for all generation 5 readers. The easy-to-fit, splash-proof display is suitable for front mounting.

Possibilities

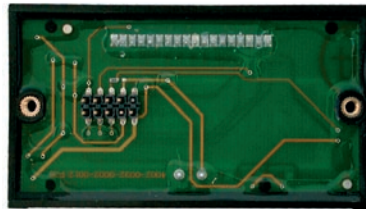
Optional display can be connected to all generation 5 readers. In particular, the DIS5 is needed to display token, bonus and countdown information. Easy to activate advertising text in character / numerical format.

Mounting

- Front fitting
- 2 M3 internal threads at rear
- 1 drill hole Ø20 mm



Connections



electrical interface:
SPI bus (plug connector 180°
0.1"; in two rows; 10-pin coding)

Specifications

Display:

16-character, 3-line LCD
5 x 7 points (character format)
10,8 x 56,2 mm
Leds 2 x 12 green
SED 1230 (Epson)
DG

Area of display:

Backlighting:

LCD controller:

Font:

Operating voltage:

5 VDC

Power consumption without
backlighting:

5mW

Power consumption with
backlighting:

625mW

Material:

Housing:

Polycarbonate, 10% GF

Glass:

Polycarbonate

Rear:

FR4 and silicone

Dimensions w x h x d:

80 x 45 x 15 mm

Depth incl. plug connector:

80 x 45 x 23,5 mm

Weight:

40 g

Operating temperature range:

0°C to 50°C

Splash-proof front:

IP 65